

COMPTOIR DU LEVAGE

Vente, location de matériel avec ou sans opérateur et gestion de projet

comptoirdulevage.fr

07 68 55 39 82 contact@comptoirdulevage.fr

SIRET : 850 301 227 00011



MK1033CW-1

KNUCKLE BOOM



Lifting Capacity : **0.995t x 1.3m**
9.9m Maximum Working Radius
Super Slim Body Width (750mm)
Multi Outrigger Positions
Moment Limiter
Optional 820kg Winch



OPTIONAL WINCH



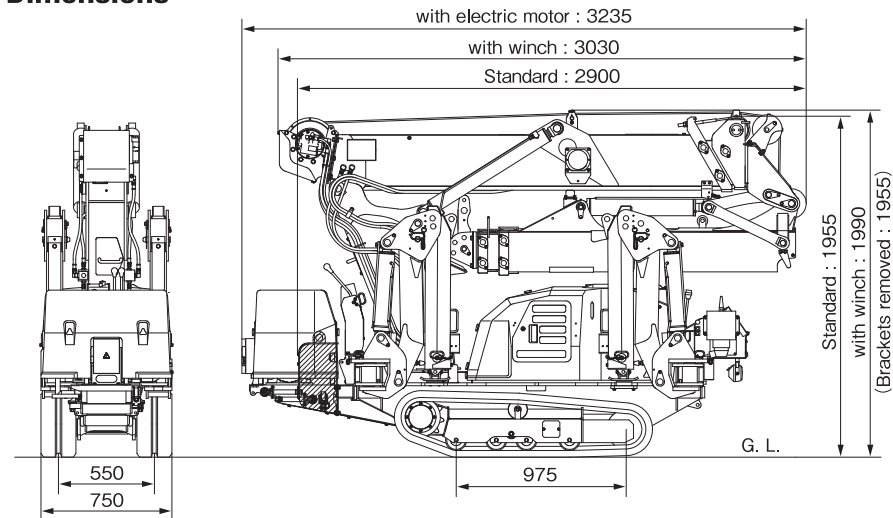
New Concept Mini Crane **KNUCKLE BOOM MK1033CW-1**

Specifications

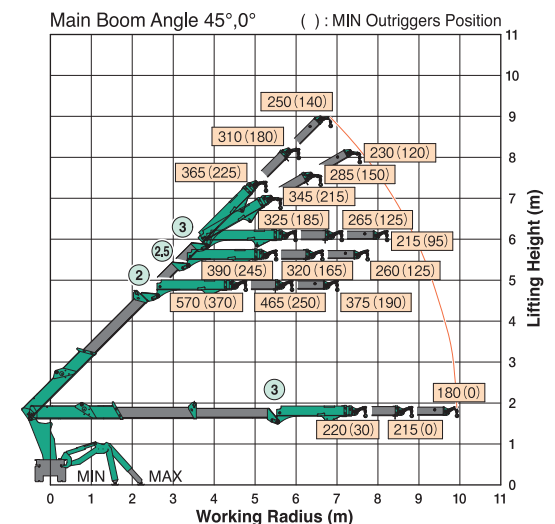
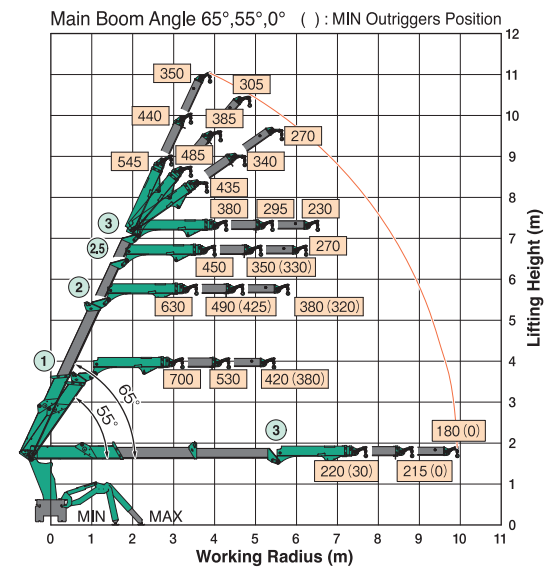
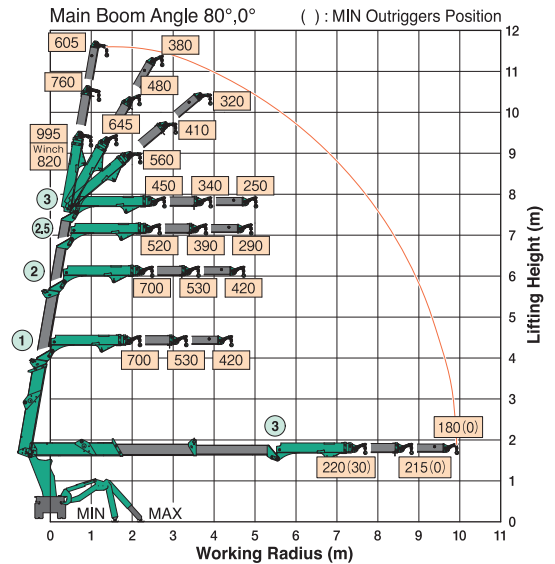
Model		MK1033CW-1	
Crane capacity		0.995t × 1.3m	
Max. working radius		9.9m × 0.18t	
Max. lifting height (on the ground)		11.3m	
Max. reach below ground level (optional winch)		-66.5m (single fall)	
Main boom	Telescopic system	Type	Fully automatic 3-section pentagonal telescopic boom (2 and 3 section : simultaneous telescoping)
		Boom length	2,590m - 6,030m
		Boom telescoping stroke / time	3,44m/15.5sec [0.22m/sec]
Boom hoist system		Hoist angle / time 0 to 80deg/36.4sec	
Jib	Telescopic system	Type	Fully automatic 3-section pentagonal telescopic jib
		Jib length	1,876m - 4,111m
		Jib telescoping stroke / time	2,235m/22.4sec [0.10m/sec]
Jib hoist system		Hoist angle / time -100 to 80deg/26.4sec	
Slew system		Slew angle / time 360deg/0.86rpm	
Winch system (Optional)		Hook speed	37.8m/min (5th layer, single fall)
		Hoist wire rope	IWRC 6 X WS (26) 0/0, φ8×73.0m
Outrigger system		Type	1st stage with flexible stay damper, 2nd stage manual pullout hydraulic cylinder direct acting type
		Max. extended width	(Lateral) 4,580mm×(Front) 4,530mm×(Rear) 3,810mm
		Extended position	Multi
Travel system		Type	Hydraulic motor driven , stepless speed changer
		Travel speed	0 - 2.0km/h
		Gradability	15deg
		Crawler ground length × width	975mm × 200mm
		Ground pressure	57.6kpa[0.59kgf/cm ²] (MK1033CWEH-1: 59.6kpa[0.61kgf/cm ²])
Engine		Model	YANMAR 2TNV70-NMBA
		Displacement	0,569L[569cc]
		Rated output	7.4kw/2,500min ⁻¹ [10.1ps/2,500rpm]
		Starting method	Electric starting
		Fuel / Fuel tank capacity	Diesel/12.0L
Electric Motor (MK1033CWE-1)		Type	Self detachable
		Motor type	Totally enclosed fan-cooled motor 5.5kw, 4P 380V
Remote control system		Starting system	Inverter system (30Hz-60Hz)
		Type	Radio & Proportional control
		Micro speed mode	Available
Outrigger operation		Available	
		Overall length × width × height (MK1033CW-1) 2,900mm × 750mm × 1,955mm	
Overall length × width × height (MK1033CWH-1)		3,030mm × 750mm × 1,990(1,955)mm *	
		Overall length × width × height (MK1033CWE-1) 3,235mm × 750mm × 1,955mm	
Overall length × width × height (MK1033CWEH-1)		3,235mm × 750mm × 1,990(1,955)mm *	
		Machine weight (MK1033CW-1) 2,290kg (2,000kg) *	
Machine weight with winch (MK1033CWH-1)		2,390kg	
		Machine weight with electric motor (MK1033CWE-1) 2,270kg	
Machine weight with winch & electric motor (MK1033CWEH-1)		2,370kg	
		Safety device	
Optional equipment		Level, Machine body inclination alarm, EMO switch, Hydraulic safety valves, Overwind protection, Wire rope latch, Crane/Outrigger interlock device, Moment limiter, Data logger, Slew restriction device	
		820kg Winch (single fall), White rubber tracks	

*Some components need to be removed.

Dimensions



Working Range Charts



The values in are rated total load (kg), they are based on the actual working radius including boom & jib deflection.

Before use, please read the Operation Manual

Due to improvements, the specifications are subject to change without notice.



MAEDA SEISAKUSHO CO., LTD.

Head office | No.1095, Onbegawa, Shinonoi, Nagano-City, Nagano-Pref. 388-8522 Japan
TEL.+81(0)26 292 2228 FAX.+81(0)26 293 8499
URL : www.maedaminicranes.com E-mail : contact@maeda-minicranes.com

COMPTOIR DU LEVAGE

Vente, location de matériel avec ou sans opérateur et gestion de projet

comptoirdulevage.fr

07 68 55 39 82 contact@comptoirdulevage.fr

SIRET : 850 301 227 00011