

**NEW** Telescoping Crawler Crane

# CC423S-1

Crane Capacity

**2.93t × 1.5m**

Max Lifting Height

**9.46m**

Pick & Carry Duty

**1,465kg**



Programmable Moment Limiter  
Minimal Tail Swing  
Blade  
4 Fall / 2 Fall Hook Block  
Equivalent to EPA Tier 4 Engine  
Available with 850kg Searcher Hook  
Pilot Pressure Travel Control

**COMPTOIR DU LEVAGE**

Vente, location de matériel avec ou sans opérateur et gestion de projet

[comptoirdulevage.fr](http://comptoirdulevage.fr)

07 68 55 39 82 [contact@comptoirdulevage.fr](mailto:contact@comptoirdulevage.fr)

SIRET : 850 301 227 00011



New 7 inch Multi Monitor



## Specifications

Model		CC423S-1	
Crane capacity	Crane capacity	2.93t x 1.5m	
	Max. working radius	8.38m x 0.20t	
	Max. lifting height	9.46m	
	Max. reach below ground level	-15.5m (4 falls)	
Weight & Dimension	Pick & Carry capacity	1,465kg	
	Machine Weight	4,400kg	
	Overall length x width x height	4,020mm x 1,740mm x 2,495mm	
	Crawler ground length x width	1,650mm x 300 mm	
	Tail swing	980mm	
	Blade width x height	1,740mm x 355mm	
Winch system	Number of wire falls for Hook	4 falls / 2 falls	
	Hook speed	19m/min (4 layers, 4 falls)	
	Hoist wire rope	IWRC 6 x Ws(26) φ8 x 73m	
Telescopic system	Boom type	Fully automatic 4-section pentagonal telescopic boom	
	Boom length	3.18m - 5.03m - 6.87m - 8.71m	
	Boom telescoping stroke / time	5.53m/14sec	
Boom hoist system	Hoist angle / time	0~80deg/12sec	
Slew system	Slew angle / time	360deg/2.4rpm	
Drive system	Travel speed	Low	Forward & backward 0~2.9km/h
		High	Forward & backward 0~4.6km/h
	Gradability		20deg
	Ground pressure		43.5kPa [ 0.44kgf/cm <sup>2</sup> ]
Engine	Model	Yanmar 3TNV88F-EPMBA	
	Emission level	(Equivalent to EPA Tier 4)	
	Displacement	1.642L (1,642cc)	
	Rated output	17.5kw/2,400min <sup>-1</sup> [ 23.8PS/2,400rpm ]	
	Fuel / Fuel tank capacity	Diesel / 42.0L	
Safety device	Overwind protection, Hydraulic safety valve, Wire rope latch, Level, Safety lock lever, Side mirrors, Machine body inclination alarm, EMO switch, Moment limiter, Working status lamp, Data logger, Blade/Crane interlock system		
Optional equipment	Rubber pads (black & white), Single fall hook, 850kg Searcher hook		

## Rated Total Load Chart (4 falls)

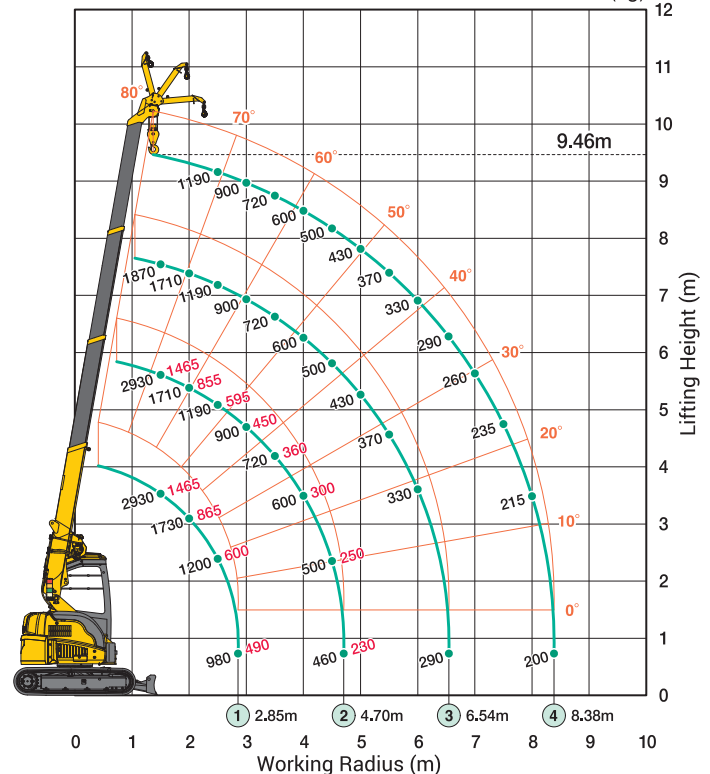
unit: kg

Working radius (m)	3.18m Boom		5.03m Boom		6.87m Boom		8.71m Boom	
	Stationary	Pick & Carry	Stationary	Pick & Carry	Stationary	Pick & Carry	Stationary	Pick & Carry
1.50	2930	1465	2930	1465	1870		1190	
2.00	1730	865	1710	855	1710		1190	
2.50	1200	600	1190	595	1190		1190	
2.85	980	490	980	490	980		980	
3.00			900	450	900		900	
3.50			720	360	720		720	
4.00			600	300	600		600	
4.50			500	250	500		500	
4.70			460	230	460		460	
5.00					430		430	
5.50					370		370	
6.00					330		330	
6.54					290		290	
7.00							260	
7.50							235	
8.00							215	
8.38							200	

\*The Rated Total Load Chart is based on the actual working radius including boom deflection.  
 \*The weight of hook block (standard 4 fall/2 fall-30kg) must be included as part of the load shown in the Rated Total Load Chart.  
 \*When using two fall or single fall hooks, use the appropriate four fall Rated Total Load Chart above but with a maximum load of : Two fall-1480kg, Single fall-750kg.

## Working Range Chart (4falls)

(kg)

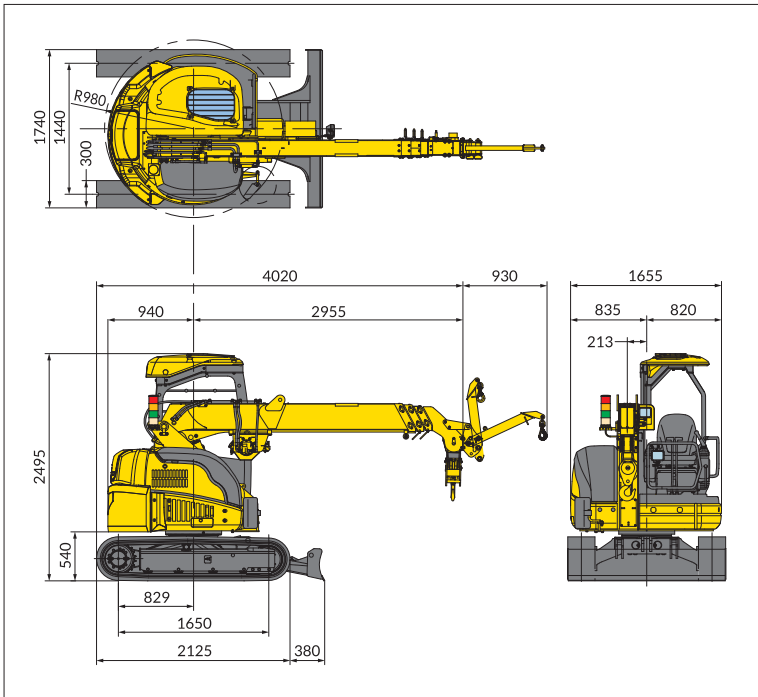


**⚠ Before use, please read the Operation Manual**

Due to improvements, the specifications are subject to change without notice.

## Dimensions

(mm)



**MAEDA SEISAKUSHO CO.,LTD.**

Head office

No.1095, Onbegawa, Shinonoi, Nagano-City, Nagano-Pref. 388-8522 Japan  
 TEL:+81(0)26 292 2228 FAX:+81(0)26 293 8499  
 URL : [www.maedaminicranes.com](http://www.maedaminicranes.com) E-mail : [contact@maeda-minicranes.com](mailto:contact@maeda-minicranes.com)



Vente, location de matériel avec ou sans opérateur et gestion de projet

[comptoirdulevage.fr](http://comptoirdulevage.fr)

07 68 55 39 82 [contact@comptoirdulevage.fr](mailto:contact@comptoirdulevage.fr)

SIRET : 850 301 227 00011