

Telescoping Crawler Crane

# CC1485S-2

EU Stage V Compliant Engine **NEW**

Crane Capacity

**6.0t × 2.6m**

Max. Lifting Height

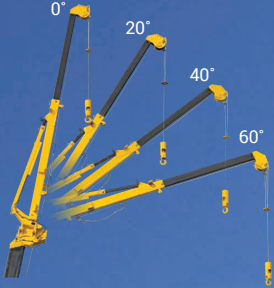
**16.7m**

Pick & Carry Duty

**2,000kg**

Max. Lifting Height with Optional Fly Jib : **22.0m**

■ Optional Fly Jib (820kg)



■ Optional Searcher Hook (2.0t)  
+ Single Fall Hook (1.5t)



■ Optional Blade



# STAGE V

Minimal Tail Swing



Wide View Roof Window



Programmable Moment Limiter



7 inch Multi Monitor

4 Fall / 2 Fall Hook Block



EU Stage V Compliant Engine



Rear View Camera & Monitor



Specifications

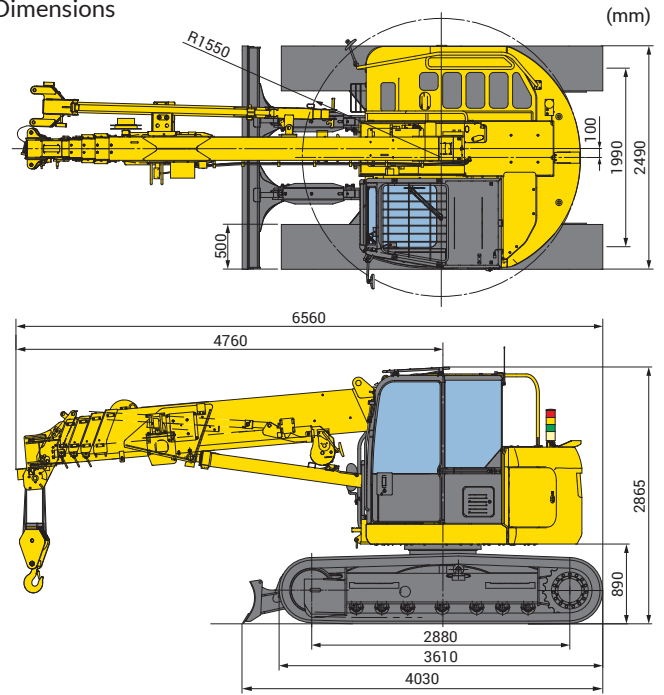
Model		CC1485S-2	
Crane capacity		6.0t x 2.6m	
Max. working radius		16.1m	
Max. lifting height		16.7m (22.0m with fly jib)	
Max. reach below ground		-24.5m (4 falls) / -50.5m (2 falls) / -103.5m (1 fall)	
Pick & Carry capacity		2.0t	
Machine Weight		14,560kg (15,240kg w/blade, 14,860kg w/ fly jib, 15,540kg w/blade & fly jib)	
Machine Weight with rubber pads		15,030kg (15,710kg w/blade, 15,330kg w/ fly jib, 16,010kg w/blade & fly jib)	
Overall length x width x height		6,560mm x 2,490mm x 2,865mm	
Overall length x width x height (with rubber pads)		6,610mm x 2,490mm x 2,910mm	
Crawler width		500mm	
Tail swing		1,550mm	
Winch system	Number of wire falls for Hook		4 falls / 2 falls
	Hook speed	Low	32.0m/min (4 layers, 4 falls)
		High	46.0m/min (4 layers, 4 falls)
Hoist wire rope		IWRC 6 x Fi(29) φ10mm x 115m	
Telescopic system	Boom type		Fully automatic 5-section heptagonal telescopic boom
	Boom length		4.745m - 7.625m - 10.505m - 13.385m - 16.265m
Boom telescoping stroke / time		11.52m / 32sec	
Boom hoist system	Hoist angle / time		-4 ~ 80degree / 19sec
Slew system	Slew angle / time		360deg / 2.1rpm
Drive system	Travel speed	Low	Forward & backward 0~1.9km/h
		High	Forward & backward 0~3.1km/h
	Gradability		34deg
Ground pressure with rubber pads		51.2kPa (0.52kgf/cm <sup>2</sup> ) [54.5kPa (0.56kgf/cm <sup>2</sup> ) w/blade & fly jib]	
Engine	Model		ISUZU 4LE2XBJB
	Emission level		EU Stage V
	Displacement		2.179L (2,179cc)
	Rated output		44.6kW / 2,000min <sup>-1</sup> (60.6PS / 2,000rpm)
	Fuel / Fuel tank capacity		Diesel / 140.0L
Safety device	Hydraulic safety valve, Overwind protection, Level, Safety lock lever, Tilt alarm, EMO switch, Moment limiter, LED working status lamp, Rear view camera, Data logger		
Optional equipment	Rubber pads (weight 470kg), Single fall hook, Blade, Fly jib (820kg capacity), Searcher hook (2,000kg capacity), Slew restriction device		

Telescoping Crawler Crane

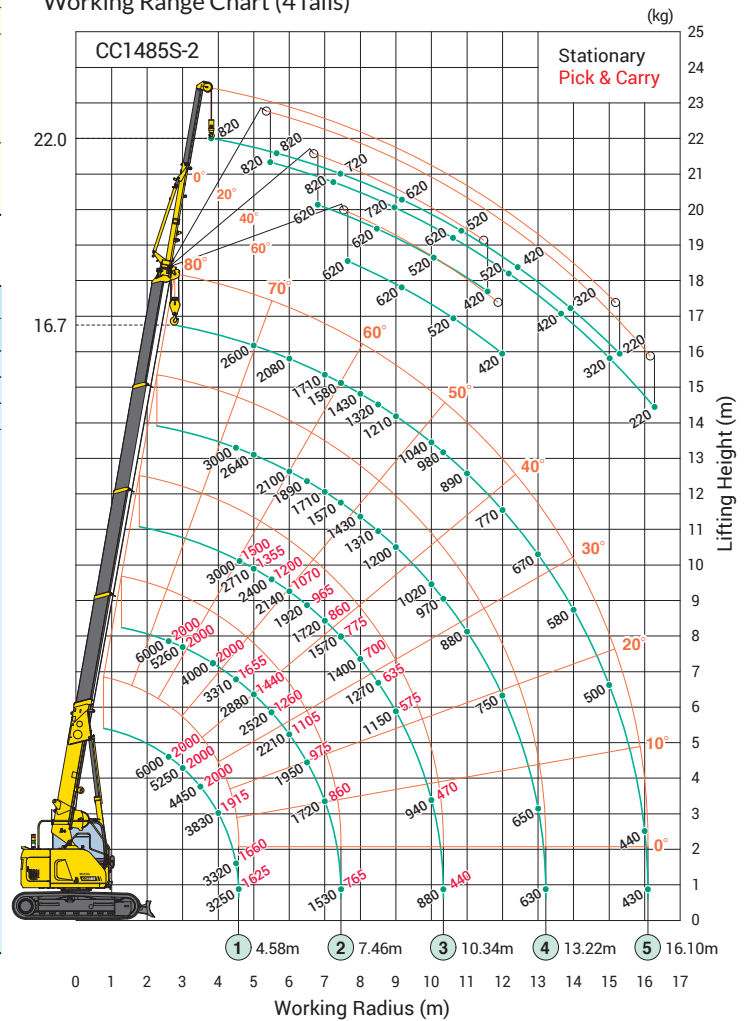
NEW

**CC1485S-2** EU Stage V Compliant Engine

Dimensions



Working Range Chart (4 falls)



Rated Total Load Chart (4 falls)

unit: kg

Working radius (m)	4.745m Boom		7.625m Boom		10.505m Boom		13.385m Boom		16.265m Boom	
	Stationary	Pick & Carry	Stationary	Pick & Carry	Stationary	Pick & Carry	Stationary	Pick & Carry	Stationary	Pick & Carry
2.00	6000	2000	6000	2000	3000	1500				
2.50	6000	2000	6000	2000	3000	1500	3000			
2.60	6000	2000	6000	2000	3000	1500	3000			
3.00	5250	2000	5260	2000	3000	1500	3000		2600	
3.20	4910	2000	4920	2000	3000	1500	3000		2600	
3.50	4450	2000	4460	2000	3000	1500	3000		2600	
3.85	4000	2000	4000	2000	3000	1500	3000		2600	
4.00	3830	1915	3820	1910	3000	1500	3000		2600	
4.50	3320	1660	3310	1655	3000	1500	3000		2600	
5.00			2880	1440	2710	1355	2640		2600	
6.00			2210	1105	2140	1070	2100		2080	
7.00			1720	860	1720	860	1710		1710	
7.50					1550	775	1560		1560	
8.00					1400	700	1430		1430	
9.00					1150	575	1200		1210	
10.00					940	470	1020		1040	
11.00							880		890	
12.00							750		770	
13.00							650		670	
14.00							580		580	
15.00							500		500	
16.00							440		440	
16.10							430		430	

\*The Rated Total Load Chart is based on the actual working radius including boom deflection.  
 \*The weight of hook block (standard 4 fall/2fall-90kg) must be included as part of the load shown in the Rated Total Load Chart.  
 \*When using two fall or single fall hooks, use the appropriate four fall Rated Total Load Chart above but with a maximum load of: Two fall-3000kg, Single fall-1500kg.

Due to improvements, the specifications are subject to change without notice.

**!** Before use, please read the Operation Manual



MAEDA SEISAKUSHO CO.,LTD.

Head office

No.1095, Onbegawa, Shinonoi, Nagano-City, Nagano-Pref. 388-8522 Japan  
 TEL:+81(0)26 292 2228 FAX:+81(0)26 293 5590  
 URL : [www.maedaminicranes.com](http://www.maedaminicranes.com) E-mail : [contact@maeda-minicranes.com](mailto:contact@maeda-minicranes.com)

COMPTOIR DU LEVAGE

Vente, location de matériel avec ou sans opérateur et gestion de projet

[comptoirdulevage.fr](http://comptoirdulevage.fr)

07 68 55 39 82 [contact@comptoirdulevage.fr](mailto:contact@comptoirdulevage.fr)

SIRET: 850 301 227 00011